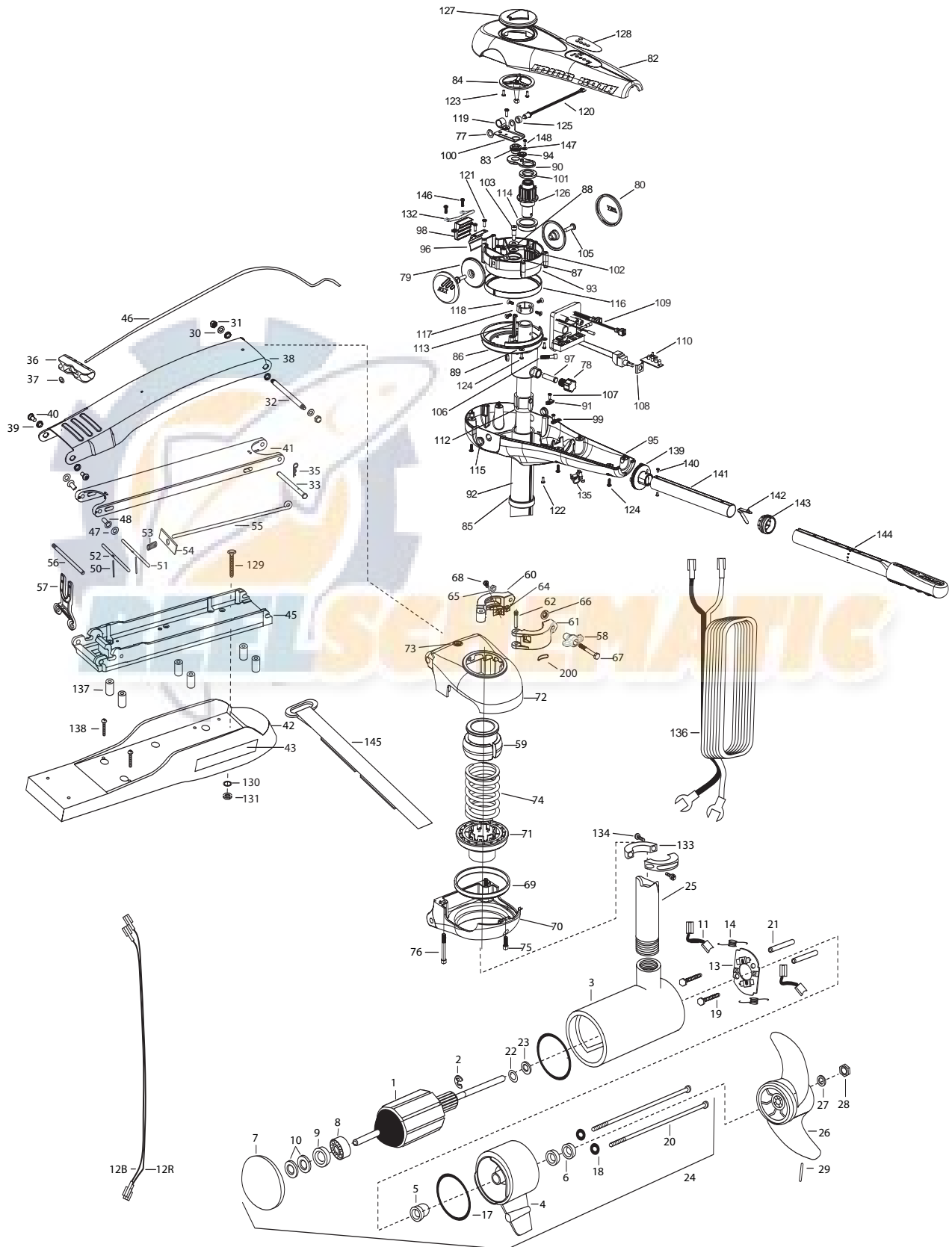


**RT80SM - 3X STEERING**  
**BOWGUARD 360° MOUNT**  
**80 LBS THRUST**  
**24 VOLT 56 AMPS**  
**62" SHAFT**

**for use with "AH" serial numbers**  
**3-year warranty from the date of purchase**



1	2-100-214	ARMATURE ASSEMBLY 24V 4"	54	2262703	SPRING STOP	105	2073408	SCREW [2 EA.]
2	788-040	RETAINING RING	55	2153605	EYE SHAFT-2LOCKBAR LONG-SS	106	2073410	SCREW
3	2-200-397	CENTER HOUSING ASSEMBLY 4.0 TXT	56	2260505	HINGE-PIN HEADLESS -SS	107	2073414	SCREW 6-32 PPH [2 EA.]
4	2-300-340	BRUSH END HOUSING ASSEMBLY	57	2293811	YOKE,MAX MNT-POLYPROPYLENE	108	2074000	POT CLIP
5	144-017	BEARING- FLANGE (SERVICE ONLY)	■	2991765	BOW GUARD ASSEMBLY	109	2074061	CONTROL BOARD ASSEMBLY
6	880-025	SEAL [2.EA]	58	2070120	KNOB CLAMP COLLAR	110	2074081	BATTERY METER
7	421-376	PLAIN END HOUSING ASSEMBLY	59	2071541	SPRING SLEEVE UPPER	112	2075100	TENSION SLEEVE
8	140-010	BALL BEARING	■	2991555	COLLAR/CLAMP ASSEMBLY	113	2076701	KEY - TUBE
9	990-045	THRUST SPACER	60	2071550	COLLAR CLAMP "A"	114	2077305	BEARING UPPER
10	992-010	SPRING WASHER [2.EA]	61	2071555	COLLAR CLAMP "B"	115	2077316	BUSHING PIVOT [2 EA.]
11	186-094	BRUSH [2.EA]	62	2072621	PIN KNURLED	116	2077320	BEARING - GEAR CARRIER
12B	640-020	LEADWIRE-BLACK 10 AWG 78" (62")	64	2072821	ORIENTATION BLOCK	117	2071560	COLLAR TUBE
12R	640-125	LEADWIRE-RED 10 AWG 79 1/2 (62")	65	2073102	NUT	118	2223468	SCREW 8-32 [4 EA.]
13	738-004	BRUSH PLATE 4"	66	2071718	WASHER NYLON	119	2263201	CLAMP WIRE HARNESS
14	975-041	SPRING- TORSION [2.EA]	67	2073412	SCREW 1/4 - 28"HHC	120	2264015	LIGHT INDICATOR
17	701-043	O-RING [2.EA]	68	2073418	SCREW 10-32 SS	121	2372100	SCREW 8-18 SS [2 EA.]
18	701-009	O-RING —THRU BOLT [2.EA]	■	2991772	BRACKET/BEARING ASSEMBLY	122	2073416	SCREW 8-32 SS SHCS [2 EA.]
19	830-027	SCREW -SELF THREAD 10-32X2 [2.EA]	*69	2261531	BEARING	123	2332103	SCREW 6-20 SS [3 EA.]
20	830-094	THRU BOLT 12-24X10.31 [2.EA]	*70	2262051	BRACKET BASE BOTTOM	124	2303412	SCREW 6-20 X 5/8" [8 EA.]
21	973-025	SPACER- BRUSH PLATE [2.EA]	71	2261535	SPRING SLEEVE	125	2303412	SPACER-INDICATOR LIGHT
22	990-051	WASHER- STEEL	72	2772318	BRACKET BASE TOP W/ EYELET	126	2992205	PINION - MAIN
23	990-052	WASHER- NYLATRON	73	2262315	EYELET ROPE	127	2998601	INDICATOR ASSEMBLY
24	2316227	MOTOR ASSEMBLY 24V 4" VARS 62"	74	2262705	SPRING BOWGUARD	128	2075618	DECAL COVER RT 80 W/3X
25	2072012	TUBE- COMPOSITE 3:1 WHITE 62"	75	2263422	SCREW 5/16-18 X 1" SHCS SS	■	2994830	BAG ASSEMBLY - MAXXUM VECTOR
■	1378132	PROPELLER KIT	76	2263424	SCREW 5/16-18 X 2-1/2" SHCS SS [2 EA.]	*129	2263431	1/4-20X3.5" PPH [6.EA]
26	2331160	PROPELLER W/WEDGE 2	77	2013100	SPEED NUT	*130	2261713	WASHER 1/4 FLAT SS [6.EA]
27	2091701	WASHER-5/16 SS	78	2070105	KNOB-TENSION	*131	2263103	NUT 1/4-20 NYLOC-JAM SS [6.EA]
28	2198401	ANODE	79	2070110	PIVOT KNOB [2 EA.]	132	2072815	BRACKET-TILT STOP
29	2262658	PIN-DRIVE	80	2070118	COVER-PIVOT KNOB	133	2261622	COLLAR HALF [2 EA.]
30	2261722	WASHER 1/4 FLAT ZINC [2.EA]	82	2070206	COVER 3:1	134	2263453	SCREW 1/4-20 X1" [2 EA.]
31	2223100	NUT 5/16-18 SS [2 .EA]	83	2070800	COUPLER SOCKET	135	2052900	STRAIN RELIEF
32	2262604	PIN- BWGRD UPPER THREADED	84	2070810	COUPLER DRIVE	136	2090650	LEADWIRE
33	2262606	CLEVIS PIN SS MAXXUM BWGRD	85	2071500	BEARING-LOWER	■	2994832	BAG ASSEMBLY-MAXXUM VECTOR
35	2260800	SPRING CLIP	86	2071513	YOKE-PIVOT	*137	2261505	SPACER, MOTOR REST [6.EA]
36	2150400	PULL-GRIP	87	2071710	WASHER NYLATRON [2 EA.]	*138	2263434	SCREW, 8-18 X 1" PPH SS [2.EA]
37	2151700	WASHER-EYE SHAFT(.562 OD)	88	2071712	WASHER SS	139	2990404	PIVOT HANDLE ASSEMBLY
■	2991847	MOUNT, BOW ASSEMBLY	89	2071714	WASHER FLAT #6 [2 EA.]	140	2072102	SCREW #6 X 1/4" [2 EA.]
38	2264249	ARM-UPPER SW, LONG	90	2071900	IDLER PLATE	141	2070425	HANDLE TUBE
39	2293501	BUSHING, STAINLESS STEEL [4.EA]	91	2071905	BRACKET- SENSOR SWITCH	142	2070411	LATCH-BUTTON
40	2263500	BOLT- SHOULDER (MAXXUM) [2.EA]	92	2072092	OUTER TUBE 3:1 62"	143	2070010	BEARING
41	2994320	ARM-LOWER ASSEMBLY, LONG, SW, EXT	93	2072210	GEAR CARRIER	144	2990930A	HANDLE ASSEMBLY-EXT.
42	2263915	MOTOR REST LONG MAXXUM	94	2072215	GEAR- IDLER	145	2263804	STRAP - HOLD DOWN
43	2265676	DECAL-MAXXUM, MOTOR REST [2.EA]	95	2072502	CONTROL BOX	■	2994841	STABILIZER / STRAP BAG ASSEMBLY
45	2993982	BOWPLATE, LONG SW-MACH/INSERT	96	2072705	SPRING DETENT	146	2332101	SCREW #8-32 X 1/2" SS [ 2 EA.]
46	2251601	ROPE (40"), MAXXUM MOUNT	97	2072710	SPRING TENSION SLEEVE	147	2071720	#4 WASHER SS
47	2261707	WASHER-3/8X1/2X.010" SS [2.EA]	98	2072810	DETENT BLOCK-TILT	148	2373440	#4 SCREW SS
48	2236000	BEARING NYLINER-[2.EA]	99	2072811	DETENT BLOCK-SWITCH	200	2075120	URETNANE PAD
50	2152612	SPRING-PIN LOCKBAR [2.EA]	100	2072900	RETAINER COUPLER			
51	2233621	LOCK BAR- BOW MOUNT-SS	101	2073000	RING PRELOAD			
52	2233623	LOCK BAR, REAR - SS	102	2073100	NUT - NYLOC [3 EA.]			
53	2152701	SPRING-LOCKBAR SS	103	2073400	SCREW 5/16"X 1/2" SHOULDER			

